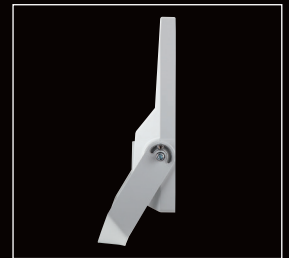


EFL-M



DESCRIPTION

The EFL-M floodlights offer premium quality, exceptional 165 lm/W efficiency and a 60-200 W power range. Designed for durability, they feature C5 corrosion resistance and a robust aluminum housing, ensuring reliable performance in harsh conditions. With a 100,000-hour lifespan and EPD certification, EFL-M floodlights provide a sustainable, low-maintenance lighting solution for large-scale outdoor and industrial applications.

APPLICATIONS

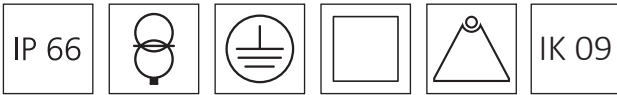
The EFL-M floodlights excel in providing powerful and reliable illumination in airports, seaports, parking lots, playgrounds, stadiums, tunnels and underground passages, large warehouses and industrial areas.

BENEFITS

- **Reliable producer:** Designed, developed and manufactured by ENIM, a trusted EU producer.
- **Certified Quality:** CE, CB, RoHS and EPD certifications ensure compliance with all EU quality standards for floodlights.
- **Exceptional Efficiency:** Delivers powerful performance with a 60-200 W power range and an impressive efficiency of up to 165 lm/W.
- **Adaptable Optics:** Choose from 30°, 60°, 90° or asymmetric optics for precise and efficient lighting.
- **Corrosion Resistance:** C5 corrosion resistance class, ensuring durability in harsh environments.
- **Impressive Stability Ratings:** The IP66 rating provides complete protection against dust and powerful water jets, while the IK09 rating guarantees impact resistance up to 10 joules.
- **Durable materials:** A low-profile, powder-coated cast aluminum housing, tempered glass optical cover with stainless steel holders.
- **Engineered for Longevity:** Designed to last 100,000 hours (L95 B10).
- **Easy Installation:** The product is completely ready for installation.
- **Sustainability:** EPD certification ensures low carbon emissions and eco-friendly materials.



TECHNICAL INFORMATION:

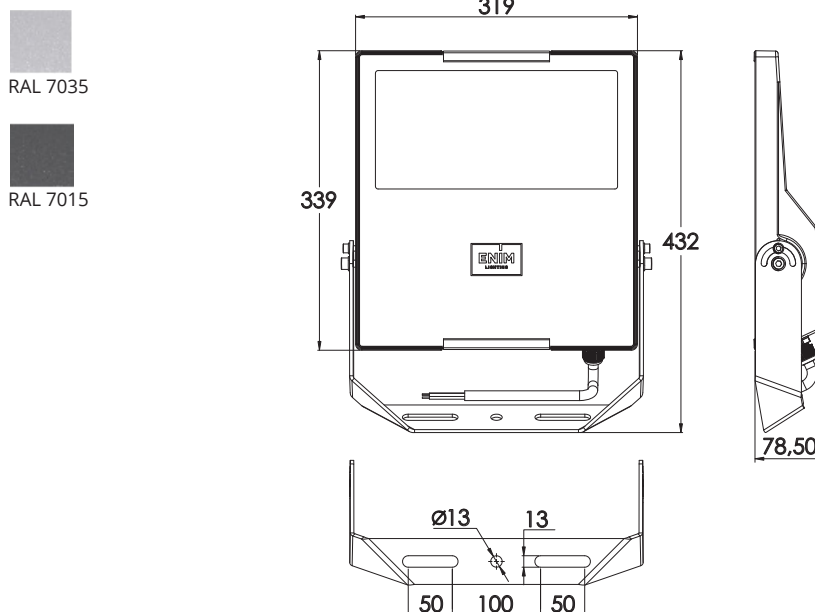


ELECTRICAL	V	Input voltage	198V- 264VAC, 176V – 280 VDC 90V-305VAC, 127V - 300 VDC
	Hz	Rated voltage	50-60 Hz
	W	Luminaire wattage	60-200
	Cosp	Power factor	≥ 0.95
OPTICAL	Lm	Luminous flux	8607-27800
	Lm/W	Luminous efficacy	Up to 165
	K	Color temperature	3000/4000/5000
	Tg	Performance temperature	25 °C
	C°	Ambient temperature range	- 40 °C ≤ Ta ≤ + 50 °C
	CRI	Color rendering index	≥70

Number of LED's	3X12				4X12					5X12					
Power	60 W	70 W	80 W	90 W	100 W	110 W	120 W	130 W	140 W	150 W	160 W	170 W	180 W	190 W	200 W
Luminous Flux, Lm	8580-9900	9870-11340	11040-12720	12150-14040	13600-15900	14740-17270	15720-18480	16770-19630	18900-21840	19800-23250	20640-24320	21760-25500	22500-26460	23370-27360	23800-27800
Efficacy, Lm/W	143-165	141-162	138-159	135-156	136-159	134-157	131-154	129-151	135-156	132-155	129-152	128-150	125-147	123-144	119-139

Chromatic tolerance (original MacAdam)	Not higher than 5
Life expectancy L/B	L95 B10 by 100000 hrs (Ta = 25 °C)

HOUSING	Size	319 mm x 339 mm x 78.5 mm
	Weight	Max 6,8 kg
	Body material	Heat sink: Cast aluminum, painted
	Protection	IK09
	Installation	Adjustable bracket: angle -90° + 90°



OPTICS	Optical cover	Tempered Glass
	Light source	Power LED
	Optics type	30, 60, 90 degrees, Asymmetric
	Maintenance	Optical module sealed for life No internal cleaning required

DRIVER	Input voltage	198V- 264VAC, 176V – 280 VDC 90V-305VAC, 127V - 300 VDC
	Intelligent temperature Guard (ITG)	The intelligent temperature guard protects the LED driver from thermal overheating by reducing the output power or switching off in case of operation above the thermal limits of the luminaire or ballast
	Overvoltage with a variable surge protection	N/L – 6kV, P/(N/L) – 10kV
	Interfaces	One4all (DALI DT 6, DSI, switchDIM, corridorFUNCTION V2) ready2mains (configuration and dimming via mains) U6Me2 (configuration of chronoSTEP 2 via mains)

REMARKS	CLO	The light output of an LED module reduces over the course of its lifetime. The Constant Light Output (CLO) function compensates for this natural decline by constantly increasing the output current of the LED driver throughout its lifetime
	Power factor (Cosφ)	≥ 0.95
	Recommended mounting height	Up to 10 m
		Luminaires are ready to install

LOGISTIC DETAILS:

Full pallet size/cm L*W*H	Number of luminaires per row	Number of rows	QTY per pallet/pcs
120 X 80 X 120	4	10	40
Volume per pallet	Kg per pallet		
		Netto	Brutto
0,699 m ³	272	297	

