



ALT

MODULAR

Combining different sub-assemblies the ALT can be quickly delivered even in big quantities.

25 - 220W

Versatile components and excellent heat management offer a wide range of power options.

4820 - 39 500 LM

High or low, JUKO ALT is fitting for all environments.

185-190LM/W

Excellent power supply, outstanding MID power LEDs offer high total efficiency. High power LED option also available.

60° / 65° / 90° / 120°

JUKO ALT can be offered with beam widths of 60°, 65°, 90° and 120°.

AR ENERGYVISION GLASS

Only 1% loss of light output, glare minimizing capabilities.

IP66/67

Based on an ATEX design, ingress protection is guaranteed.

QUALITY FROM FINLAND

When possible it's always done in Finland.

VERSATILE INSTALLATION

We have all worked on the other side as well, so why design a product that is not easy to install?

MECHANICAL PROPERTIES

Frame	Extruded aluminum
Cover	Speciality glass clear / opaqr
Optics	PMMA
Fasteners	A4
Cable glands	M20 / M25
Installation	Ceiling / Pole / Wall
Installation adapters	Optional
Adjustability	-45° ... +45°
Weight	5 kg (ALT-06) / 10 kg (ALT-12)

ELECTRICAL PROPERTIES

Voltage type	AC
Nominal voltage	100-240
Type of power supply	Constant current
Power	25 - 220 W

LIGHT PROPERTIES

Type of LEDs	Mid power / High power LED
Color temperature	4000K
Color Rendering Index	80-89
Light output lm	4 820 - 39 500
Efficacy	~185-190lm/w
Life time L80 (Ta 60°C)	100 000 h
Beam width	60° / 65° / 90° / 120°

COUPLING

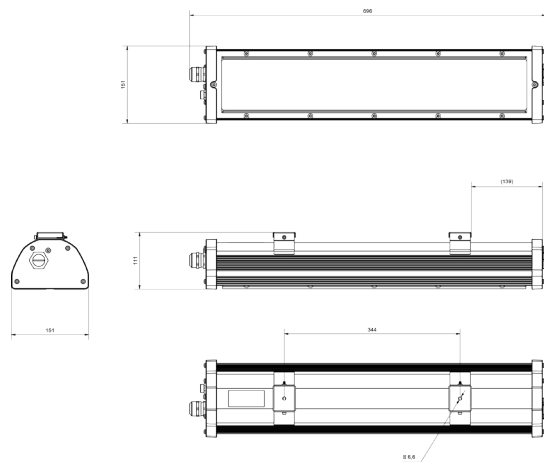
Cable glands	M25 / M20
Through wiring	Optional
Cable cross-section	1,5 ... 4 mm ²

OTHER

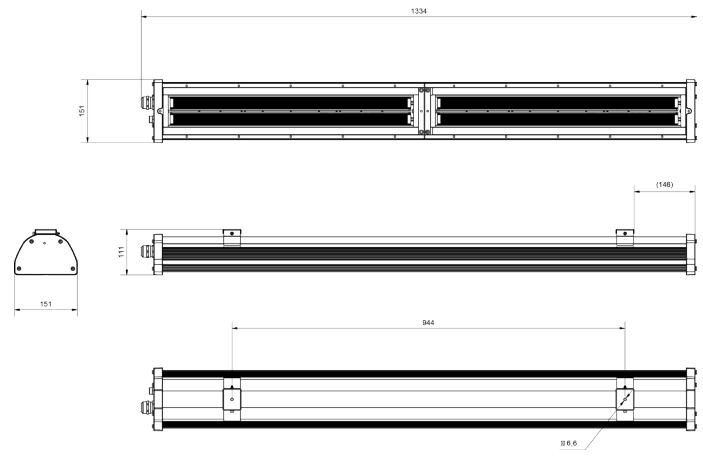
IP Rating	IP66 / IP67
Country of origin	Finland
Guarantee	5 years
IK Rating	IK09
Ambient temperature	-40°C ... +60°C (+65°C)

DIMENSIONS

JUKO ALT-06



JUKO ALT-12



PRODUCT KEY

JUKO ALT-06-2-2-350-120-GL-C-M-A-25-S1-1

1 2 3 4 5 6 7 8 9 10 11 12

1	Length of the luminaire	5	Optics	10	Cable gland size
06	658 mm	060	60°	25	M25
12	1300 mm	065	65°		
		090	90°	11	Coupling
2	LED	120	120° (no optics)	S3	Normal, 3 phase
1	Mid Power	6	Cover	T3	Through wiring, 3 phase
2	High Power	GL	Glass	ST3	Through wiring same end, 3 phase
3	Coating	PC	Polycarbonate	12	Installation options
1	Anodized	7	Cover type	1	Normal
2	Powder paint	C	Clear	2	Heavy duty
4	Power (ALT-06 / ALT-12)	F	Opaque	3	Pole
350	25W/50W	8	Material of cable glands	4	Adjustable handle
500	35W/70W	M	Metal	5	22.5°
700	50W/100W	P	Plastic	6	45°
850	75W/150W *	A4	Stainless steel 316L	7	w/ adjustable angle (15-30°)
1000	110W/220W *	9	Breather drain		
	* High power LED	A	M12		