

ALH

JUKO ALH is a product made specially for industrial environments with extreme ambient temperatures. It will work perfectly in paper industries, steel industries and other environments where normal LED lights will fail.

The frame of the luminaire is designed to efficiently transfer heat away from key components, making it one of the most trustworthy and functional solutions for challenging environments.

Due to the exceptional heat transfer capabilities, the luminaire can be used even in ambient temperatures up to +100°C.

JUKO ALH luminaire utilizes scalable centralized power supply. We can customize the project size to fit every need, from a few luminaires to hundreds.

MECHANICAL PROPERTIES

Frame	Extruded aluminum
Cover	Speciality glass clear / opaque
Optics	PMMA
Fasteners	A4
Cable Glands	M20 / M25
Installation	Ceiling / Pole
Installation adapters	Optional
Adjustability	-45° ... +45°
Weight	5 kg (ALH-06) / 10 kg (ALH-12)

ELECTRICAL PROPERTIES

Voltage	DC
Nominal voltage	Customizable
Type of power supply	Centralized supply
Power	Customizable

LIGHT PROPERTIES

LED Type	High Power LEDs
Color temperature	4000K
Color rendering index	80-89
Lumen output	4 000 - 16 000
Efficacy	~140
Lifespan L80 (Ta 75°C)	100 000 h
Beam	65° / 120°

COUPLING

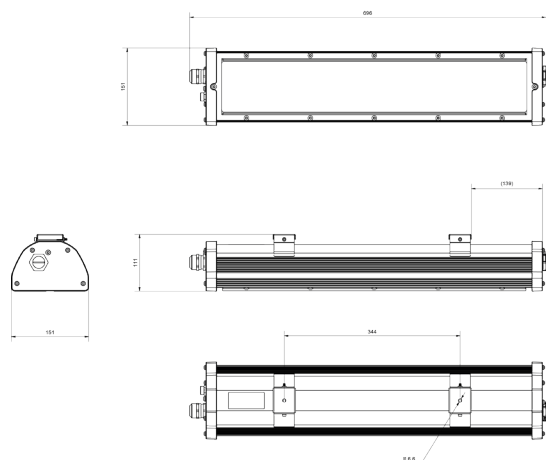
Cable glands	M25 / M20
Through wiring	Optional
Cable cross-section	1,5 ... 4 mm ²

OTHER

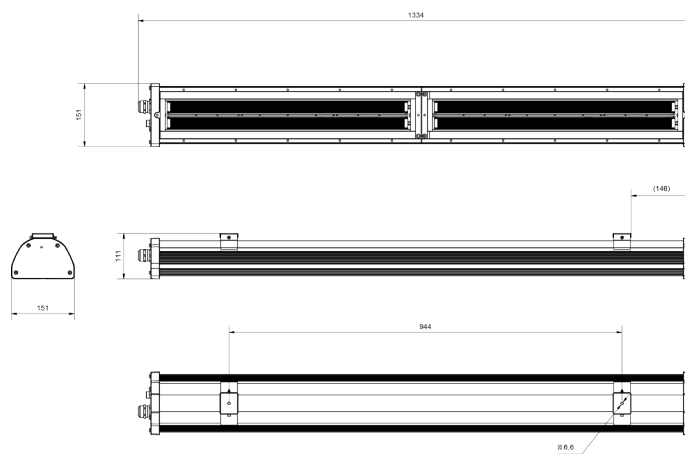
IP Rating	IP66 / IP67
Country of origin	Finland
Guarantee	5 years
IK Rating	IK10

DIMENSIONS

JUKO ALH-06



JUKO ALH-12



PRODUCT KEY

JUKO ALH-06-2-2-DC-120-GL-C-M-A-25-S-1

1 2 3 4 5 6 7 8 9 10 11 12

1	Length of the luminaire	5	Optics	11	Coupling
06	658 mm	065	65°	S	Normal
12	1300 mm	120	120°	T	Through wiring
				ST	Through wiring, same end
2	LED	6	Cover	12	Installation options
4	4000K	GL	Glass	1	Normal
5	5000K			2	Heavy duty
3	Coating	7	Cover type	3	Pole
1	Anodized	C	Clear	4	Adjustable handle
2	Powder paint	F	Opaque	5	22.5°
4	Power supply	8	Cable gland material	6	45°
J	Basic unit	M	Metal	7	Adjustable (15-30°)
JV	Basic Unit, with cable	9	Breather drain		
J1	Power Unit 1 (8xALH-06 / 4xALH-12)	A	M12		
J2	Power Unit 2 (16xALH-06 / 12xALH-12)	B	None		
J3	Power Unit 1 (24xALH-06 / 12xALH-12)	C	M20		
JD	Dali Unit (2xALH-06 / 2xALH-12)				
DC	DC One Solution, larger projects	10	Cable gland size		
		20	M20		
		25	M25		