



# AFT

JUKO AFT is a special luminaire designed especially for areas with a need of high lumen output. It is excellently suited, for example, to various production facilities in the steel industry and wood processing.

The body of the lamp is designed to effectively transfer even large heat loads away from the vicinity of the most important components, offering unprecedented reliability and durability even in the most challenging conditions.

Efficient heat management also guarantees a great lumen output. With the combination of quality light and optics, we are able to bring light down even in very high places, guaranteeing work safety and a more efficient working environment.

The lamp can be used in many different environments, its operating temperature range is -40°C ... +60°C.

## MECHANICAL PROPERTIES

Frame	Extruded aluminum, anodized
Cover	Special glass
Optics	PMMA
Fasteners	A4
Cable glands	M25
Mounting	Ceiling / pole
Mounting adapters	Optional
Adjustability	-45° ... +45°
Weight	16 kg

## ELECTRICAL PROPERTIES

Voltage	AC
Nominal voltage	198 - 264V
Type of driver	Constant current
Power	150 - 300W

## LIGHT

Type of LED	High Power LEDs
Color temperature	4000K
CRi	>70 tai >80
Light output (lm)	21 000 - 42 000
Efficacy	~140
Lifespan L80 (Ta 25°C)	100 000 h
Lifespan L80 (Ta 60°C)	100 000 h
Beam width	65° / 120°

## COUPLING

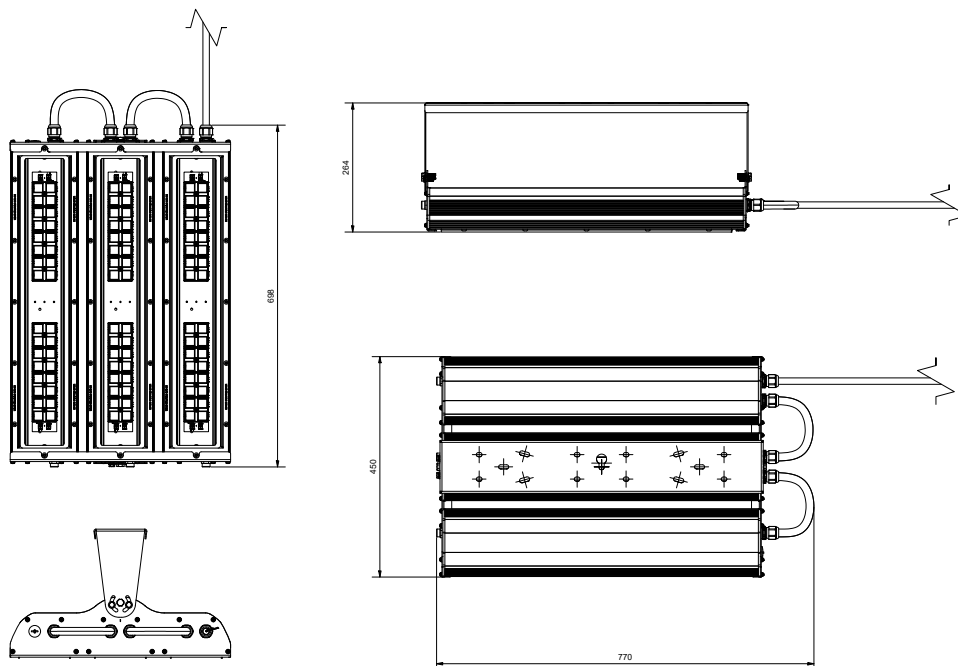
Cable glands	M25 / M20
Through wiring	Optional
Wire cross-section	1,5 ... 4 mm <sup>2</sup>

## OTHER

IP Rating	IP66 / IP67
Country of origin	Finland
Warranty	5 years
IK Rating	IK10

# DIMENSIONS

## JUKO AFT-06



## PRODUCT KEY

# JUKO AFT-06-2-6-1-800-1-120-GL-C-M-A-25-ST1-1

1 2 3 4 5 6 7 8 9 10 11 12 13 14

<b>1</b>	<b>Length</b>	<b>7</b>	<b>Optics</b>	<b>12</b>	<b>Cable glands</b>
06	658 mm	065	65°	20	M20
		120	120°	25	M25
<b>2</b>	<b>Type of LED</b>	<b>8</b>	<b>Cover material</b>	<b>13</b>	<b>Coupling</b>
2	High Power	GL	Glass	S1	Standard
<b>3</b>	<b>Amount of LED modules</b>	PC	PC	S3	Standard, 3 phase
4	4	<b>9</b>	<b>Cover surface</b>	T1	Through wiring
6	6	C	Clear	T3	Through wiring, 3 phase
<b>4</b>	<b>Surface treatment</b>	F	Frosted	ST1	Same end through wiring
1	Anodized	<b>10</b>	<b>Cable gland material</b>	ST3	Same end through wiring, 3 phase
2	Powder coated	M	Metal	<b>14</b>	<b>Mounting options</b>
3	Special	P	Plastic	1	Standard
<b>5</b>	<b>Current</b>	A4	Stainless steel 316L	2	Reinforced
800	800 mA	<b>11</b>	<b>Breather drain</b>	3	Pole adapter
<b>6</b>	<b>Type of driver</b>	A	M12	4	Adjustable arm
1	Standard	B	None	5	22.5°
2	DALI	C	M20	6	45°
				7	Adjustable (15-30°)