

**JUKOLUX**  
smarter light. better performance.



# AFX

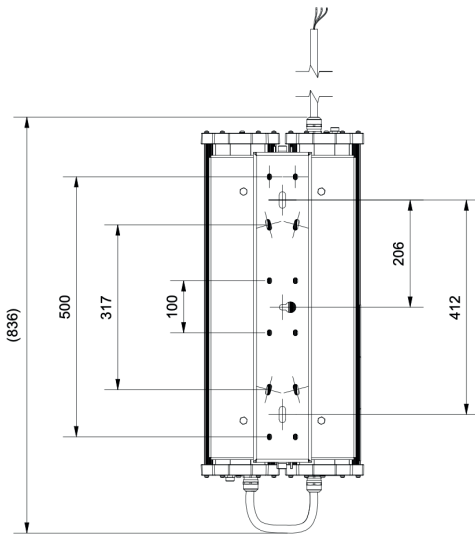
JUKO AFX is a unique, ATEX-certified light manufactured in Finland, developed with industry professionals to meet the demands of the most harshest conditions. The core of the luminaire consists of two or three light modules, allowing for 100W or 150W power. It is designed for spaces with where more light is needed.

LUMINAIRE CERTIFICATIONS	
Gas classification	Ex eb mb op is IIC T4 Gb
Dust classification	Ex tb op is IIIC T85°C Db
Zones	1,2 / 21,22
IECEX	IECEX FTZU 23.0010X
ATEX	FTZU 23 ATEX 0017X
IP Rating	IP66
LED MODULE	
<b>JUKO LED-4000Ex</b>	
Gas classification	Ex eb mb op is IIC T4
IECEX	IECEX FTZU 22.0005U
ATEX	FTZU 22 ATEX 0077U
LED DRIVER	
<b>JUKO PU150Ex</b>	
Gas classification	Ex eb mb IIC T6
IECEX	IECEX FTZU 23.0007U
ATEX	FTZU 22 ATEX 0078U

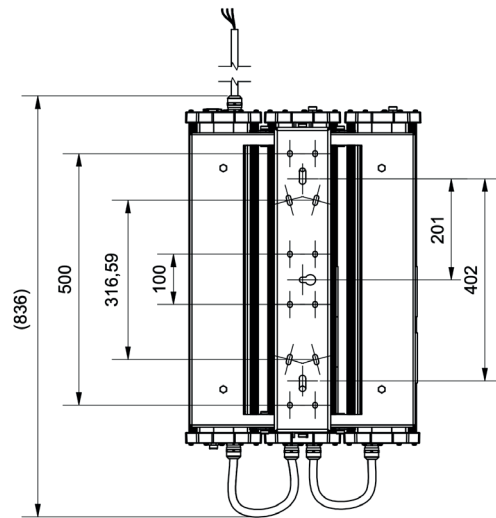
MECHANICAL PROPERTIES	
Housing	Extruded aluminum
Cover	Special glass
Optics	PMMA
Fasteners	A4
Cable glands	Polyamide (7J impact resistance)
Mounting	Wall / ceiling / Pipe
Mounting adapter	Optional
Adjustability	With adapters
ELECTRICAL PROPERTIES	
Voltage type	AC
Nominal voltage	198-275
Type of control gear	Constant current
Power	100W / 150W
LIGHTING PROPERTIES	
LED Type	High Power
Color temperature	4000K
CRI	>80
Light output	16 000 / 24 000
Efficacy	~160
L80 lifetime	100 000 h
Beam angle	60° / 90° / 120°
CONNECTION	
Cable gland	M25 (12-17mm cable)
Through-wiring	Optional
Connector / Wire cross-section	WAGO spring terminal / 15 ... 4mm
OTHER	
IP Rating	IP66
Country of origin	Finland
Warranty	5 years
Requires professional installation	Yes
Operating temperature	-40°C ... Ta ... +50°C

# DIMENSIONS

## JUKO AFX-M4



## JUKO AFX-M6



# PRODUCT KEY

## JUKO AFX-06-M4-060-GL-C-P-A-25-S3

1 2 3 4 5 6 7 8 9

<b>1</b>	<b>Length</b>	<b>6</b>	<b>Cable glands</b>
06	658 mm	P	Plastic
<b>2</b>	<b>Amount of LED Modules</b>	<b>7</b>	<b>Breather drain</b>
M4	4 LED Moduulia (100W)	A	M12
M6	6 LED Moduulia (150W)	C	M20
<b>3</b>	<b>Optics</b>	<b>8</b>	<b>Size of cable glands</b>
060	60°	25	M25
090	90°	<b>9</b>	<b>Coupling</b>
120	120°	S3	3 phase
<b>4</b>	<b>Cover</b>	ST3	3 phase, same end through-wiring
GL	Glass		
<b>5</b>	<b>Cover surface</b>		
C	Clear		